



НЕРІВНОМІРНИЙ РОЗПОДІЛ ТОЧОК СКАНУВАННЯ ПРИ РОЗРАХУНКАХ ПРИРОДНОГО ОСВІТЛЕННЯ СВІТЛОПРОРІЗІВ РІЗНОЇ КОНФІГУРАЦІЇ

В. О. Єгорченков^a, Є. В. Конопацький^a, І. В. Кощавка^b

^a Донбаська національна академія будівництва і архітектури,
2, вул. Державіна, м. Макіївка, Донецька область, Україна, 86123.

^b Донецький національний університет економіки і торгівлі ім. Михайла Туган-Барановського,
вул. Щорса, 31, м. Донецьк, Україна, 83000.

E-mail: denisovev@ukr.net

Отримана 17 лютого 2014; прийнята 28 березня 2014.

Анотація. У роботі, на основі математичного апарату точкового числення Балюба-Найдиш (БН-числення), наведено спосіб сканування світлопрорізів різної конфігурації, що дозволяє управляти щільністю нерівномірного розподілу точок сканування в двох напрямках по площі вхідних отворів світлопрорізів відповідно до необхідних умов чисельного експерименту. У даній роботі отримані необхідні точкові рівняння для чотирикутного і параболічного вікна, запропоновано обчислювальний алгоритм для визначення точок сканування віконних прорізів різної конфігурації в обох напрямках, представлена графічна реалізація запропонованого в роботі обчислювального алгоритму в середовищі Mathcad. За допомогою отриманої аналітичної моделі сканування можна оптимізувати споживання обчислювальних ресурсів ПЕОМ та зменшити час розрахунку параметрів поля. Пропонований спосіб є універсальним, оскільки він може бути використаний для формування точкової множини не тільки світлових, але і вітрових, теплових, радіаційних, хімічних і будь-яких інших потоків.

Ключові слова: світловий потік, БН-числення, симплекс, точки сканування, параболічний і чотирикутний світлопроріз, точкове рівняння.

НЕРАВНОМЕРНОЕ РАСПРЕДЕЛЕНИЕ ТОЧЕК СКАНИРОВАНИЯ ПРИ РАСЧЕТАХ ЕСТЕСТВЕННОГО ОСВЕЩЕНИЯ СВЕТОПРОЕМОВ РАЗЛИЧНОЙ КОНФИГУРАЦИИ

В. А. Егорченков^a, Е. В. Конопацкий^a, И. В. Кощавка^b

^a Донбасская национальная академия строительства и архитектуры,
2, ул. Державина, г. Макеевка, Донецкая область, Украина, 86123.

^b Донецкий национальный университет экономики и торговли им. Михаила Туган-Барановского,
ул. Щорса, 31, г. Донецк, Украина, 83000.

E-mail: denisovev@ukr.net

Получена 17 февраля 2014; принята 28 марта 2014.

Аннотация. В работе, на основе математического аппарата точечного исчисления Балюбы-Найдыша (БН-исчисление), представлен способ сканирования светопроёмов различной конфигурации, позволяющий управлять плотностью неравномерного распределения точек сканирования в двух направлениях по площади входных отверстий светопроёмов в соответствии с необходимыми условиями численного эксперимента. В данной работе получены необходимые точечные уравнения для четырехугольного и параболического окна, предложен вычислительный алгоритм для определения точек сканирования оконных проёмов различной конфигурации в обоих направлениях, представлена графическая реализация предложенного в работе вычислительного алгоритма в среде Mathcad. С помощью полученной

аналитической модели сканирования можно оптимизировать потребление вычислительных ресурсов ПЭВМ и уменьшить время расчета параметров поля. Предлагаемый способ является универсальным, поскольку он может быть использован для формирования точечного множества не только световых, но и ветровых, тепловых, радиационных, химических и любых других потоков.

Ключевые слова: световой поток, БН-исчисление, симплекс, точки сканирования, параболический и четырехугольный светопроем, точечное уравнение.

NON-UNIFORM DISTRIBUTION OF SCANNING POINTS AT CALCULATION OF NATURAL LIGHTING FOR LIGHT OPENINGS WITH DIFFERENT CONFIGURATION

Vladimir Yegorchenkov ^a, Yevgeniy Konopatskiy ^a, Irina Koschavka ^b

^a *Donbas National Academy of Civil Engineering and Architecture,
2, Derzhavina Str., Makijivka, Donetsk Region, Ukraine, 86123.*

^b *Donetsk national university of economics and trade named after Mykhailo Tugan-Baranovskiy,
31, Shchorsa Str., Donetsk, Ukraine, 83000.*

E-mail: denissov@ukr.net

Received 17 February 2014; accepted 28 March 2014.

Abstract. Using mathematical apparatus of dot calculation by Baliuba-Naydysh (BN-calculation), the paper presents a method to scan light openings with different configuration that allows controlling the density of non-uniform distribution of scanning points in two directions along the plane of light openings' inlets according to necessary conditions for numerical experiment. The necessary point equations for square and parabolic window are received in this paper, the computational algorithm to define the scanning points of window openings with different configuration in both directions is suggested, the graphical realization of the computational algorithm in Mathcad environment, suggested in the paper, is presented. By means of the received analytical model of scanning it is possible to optimize the consumption of the PC computing resources and reduce the calculation time of the field parameters. The offered way is universal as it can be used for forming not only a plurality of dot light but also wind, heat, radiation, chemical and any other flows.

Keywords: light flow, BN-calculation, simplex, scanning points, parabolic and square light opening, point equation.

Problem statement

While defining the parameters for physical flow that passes through a platform of any shape there arise the question, how to distribute a set of scanning points to define the parameters for flow? This question is easily solved if the flow that passes through the platform is evenly distributed that was demonstrated on example of square window opening in paper [4]. However, the method for uniform distribution of scanning points, which suits to square light openings very much, turned out to be not always suitable for curved light openings. Thus, the paper [2], at attempt for uniform scanning of light opening with parabolic shape in both directions, found out too large thickening of points in the low central part of light opening (in the neighborhood of the

point, from which the beams that split the plane of parabolic light opening into areas passed out), and, vice versa, too large thinning of scanning points closer to the border of parabola. In order to produce the adequate analytical model for scanning of border areas in surface of light opening it is necessary to increase the number of scanning points that causes to much more overcontraction of low central part of light opening, and, accordingly, to unjustified increase in consumption of PC computational resources, and, consequently, in time for calculation of scanning points.

This paper suggests the new method for non-uniform scanning of light openings in one or two directions, depending on geometrical shape of light opening that allows avoiding overcontraction of

points for light openings of curved shape and reducing time, necessary for PC to calculate all scanning points.

The method, suggested in this paper, is universal as it can be used to scan and to distribute different flows not only light but wind, heat, radiation, chemical and any other flows. It opens the perspective possibilities for study and mathematical modeling of processes and phenomena from different fields of science and technology. For example, the heat flow, while passing through enclosing structure with heat-carrying inclusions, in the corners of building, at the junctions of internal and external structures (Fig. 1 [1]) or at door jambs has the non-uniform distribution. The wind flow in site development and the flow of liquid, in particular at turbulent motion is also characterized by non-uniform distribution of indices. In order to study the distribution of flow parameters correctly and with sufficient degree of precision it is necessary rationally to distribute scanning points. The optimal balance between precision of numerical experiment and expenses of computer time depends on such approach.

The light flow that penetrates into premise through light openings from dull firmament may be assessed with sufficient degree of precision at uniform distribution of scanning points, as smooth and insignificant changes take place here. In passing to assessment of natural lighting in premises along half clear firmament, which is planned to be introduced into regulatory documents in the nearest future, the uniform scanning net will not be efficient as the changes in brightness even within one opening are significant, in particular in circumsolar area. In this case it is better to apply non-uniform distribution of points, set by appropriate point equations.

Analysis of main researches and publications

As it was mentioned above, the article [2] developed the algorithm to form scanning points of arch light opening at even scanning interval between points along arch and pitch of points in radial direction. Article [3] presents the algorithm to form scanning points at their non-uniform distribution in one of directions due to preset functions. Paper [4] describes the algorithm to form scanning points of square light opening with their uniform distribution in both directions. The mathematical apparatus for

BN-calculation is used for realization of suggested method for non-uniform scanning [5–10].

Purpose of this paper

To develop the method to scan light openings with parabolic and square shape, located in the plane of general position, with preset non-uniformity in distribution of scanning points in one and two directions at calculations of natural lighting in the premises.

Main part

Let we set the plane, which is limited by horizontal line below, and on the top, for example, by arch of parabola ACB (Fig. 2), which is described by the following point equation:

$$P = A(1 - u)(1 - 2u) + 4Cu(1 - u) + Bu(2u - 1), \tag{1}$$

where P – current point of parabola arch;

A, B, C – set points, through which a parabola arch passes;

u – current parameter that defines a parabola arch, which is changed within $0 \leq u \leq 1$.

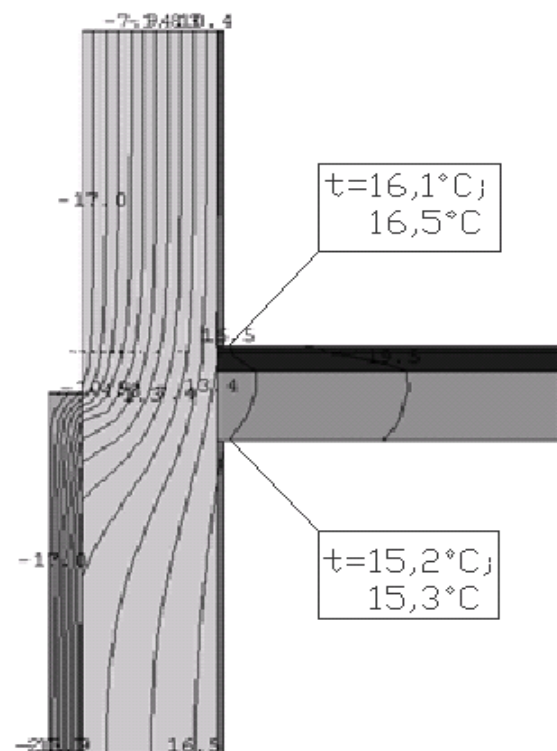


Figure 1. Example for temperature field at junction of flooring and external wall at local warmth-keeping.

Point equation of PK section is as it follows:

$$M = P(1-v) + Kv, \quad (2)$$

where v – current parameter that defines the section of right line, which is changed within $0 \leq v \leq 1$.

Point K is the middle of section AB is defined by the following expression:

$$K = (A + B) / 2. \quad (3)$$

Inserting expression (1) and (3) into point equation for straight line PK (2), after transformations, we receive the point equation of arch plane [2]. If we divide arch of parabola (1) and right line (2), accordingly, into uniform sections, we will receive the point equation for segment of plane, limited by parabola arch on the top and section of right line below, evenly split into areas in two directions. The values of current parameters for such scanning method are $u = j/n$ and $v = i/m$. Thus, uniform distribution of scanning points is achieved at the expense of linear (uniform) motion of corresponding current point along curved or right line.

For non-uniform distribution of scanning points it is necessary to introduce the special function, which will control the traveling speed of current point, and, thereby, will create the necessary non-uniformity in distribution of points. Let's assume parameter u in the form of function $u(\delta)$, and parameter v in the form of function $v(\lambda)$, then equation (2) will be as it follows:

$$M = P[1-v(\lambda)] + Kv(\lambda). \quad (4)$$

After inserting expressions (1) and (3) into equation (4) and some transformations we have the final expression for point equation of arch plane with variable functions in both directions:

$$M = A \{ [1-u(\delta)] [1-2u(\delta)] [1-v(\lambda)] + v(\lambda) / 2 \} +$$

$$+ B \{ u(\delta) [2u(\delta) - 1] [1-v(\lambda)] + v(\lambda) / 2 \} + 4Cu(\delta) [1-u(\delta)] [1-v(\lambda)], \quad (5)$$

where $\delta = j/n$, $\lambda = i/m$:

j – order number for scanning point in direction of arch,

n – amount of points in this direction;

i – order number for scanning point in radial direction,

m – their amount.

Setting different functions $v(\lambda)$ and $u(\delta)$ we can control the pitch for location of points along radial right line and arch, and, consequently, density for distribution of scanning points.

The realization of received point equation (5) for arch opening at $u = \delta^2$ and $v = \lambda^2$ is shown on Fig. 4a.

Such methodology may be used for other plane figures, in particular quadrangle. Let us assume that a light opening in the form of free quadrangle $AFBC$ (Fig. 3) is set in simplex ABC with set coordinates for summits of angles: $A(x_A, y_A, z_A)$; $B(x_B, y_B, z_B)$; $C(x_C, y_C, z_C)$.

Coordinates of summit F is defined in this simplex by the following way:

$$F = Ap_F + Bq_F + C[1-p_F - q_F], \quad (6)$$

where $p_F = S_{FBC} / S_{ABC}$ and $q_F = S_{FAC} / S_{ABC}$ – ratios of signed areas for corresponding triangles, which are defined by the following correlations:

$$\begin{aligned} S_{ABC} &= [(x_A - x_C)(y_B - y_C) - (x_B - x_C)(y_A - y_C)] / 2; \\ S_{FBC} &= [(x_F - x_C)(y_B - y_C) - (x_B - x_C)(y_F - y_C)] / 2; \\ S_{FAC} &= [(x_A - x_C)(y_F - y_C) - (x_F - x_C)(y_A - y_C)] / 2. \end{aligned} \quad (7)$$

In order to scan along the whole area of quadrangle we express the upper and lower sides through point coordinates by the following equations:

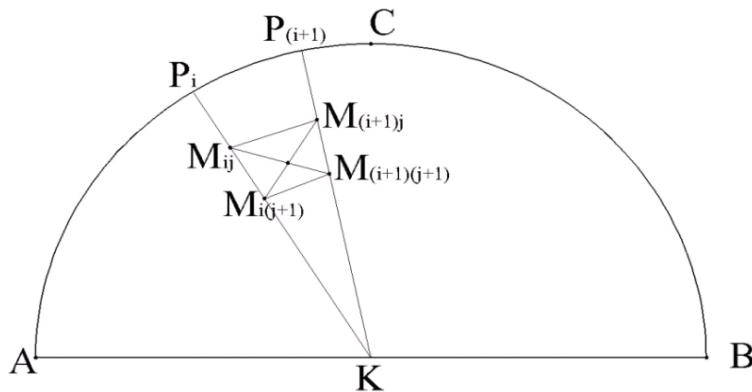


Figure 2. Geometric layout for scanning of arch plane.

for side *AF*:

$$P_i = A(1-t) + Ft, \tag{8}$$

for side *CB*:

$$Q_i = C(1-t) + Bt, \tag{9}$$

where P_i and Q_i – current points of sections *AF* and *CB*;
 $0 \leq t \leq 1$ – parameter that defines these sections.

We choose m points on sides *AF* and *CB*. Then parameter t will be defined by the following way:

$$t = i/m, \text{ where } i = 0, 1, 2, \dots, m.$$

In order to scan in another direction let's compose the point equation for section P_iQ_i :

$$M_{ij} = P_i(1-\tau) + Q_i\tau, \tag{10}$$

where t – current point of this section, $0 \leq t \leq 1$;

If we choose n points in this section, the second parameter will be defined by the following way:

$$\tau = j/n, \text{ where } j = 0, 1, 2, 3 \dots n.$$

Hereby, the more points are on sections, the more precise the illumination will be. However, the calculation will take more time. It means that we need the differentiated approach.

Inserting initial values of right lines (8, 9) into equation (10), we receive:

$$M_{ij} = A(1-t)(1-\tau) + Ft(1-\tau) + C\tau(1-t) + Bt\tau. \tag{11}$$

If we assume parameter t in the form of function $t(\delta)$, and parameter τ in the form of function $\tau(\lambda)$, then equation (11) will be as it follows:

$$M_{ij} = A[1-t(\delta)][1-\tau(\lambda)] + Ft(\delta)[1-\tau(\lambda)] + C\tau(\lambda)[1-t(\delta)] + Bt(\delta)\tau(\lambda), \tag{12}$$

where $\delta = i/m, \lambda = j/n$: i – order number for scanning point in direction from *A* to *F*;

m – their amount in this direction;

j – order number for scanning point from P_i to Q_i ;

n – their amount.

The realization of received point equation (12) for square opening at $t = \delta^2$ and $\tau = \lambda^2$ is shown on Fig. 4b.

Pursuant to all abovementioned, it is suggested to use the computational algorithm to define scanning points of window in both directions:

1. Initial coordinates for supporting points of contour are introduced. These coordinates are accepted from architectural and engineering drawings.

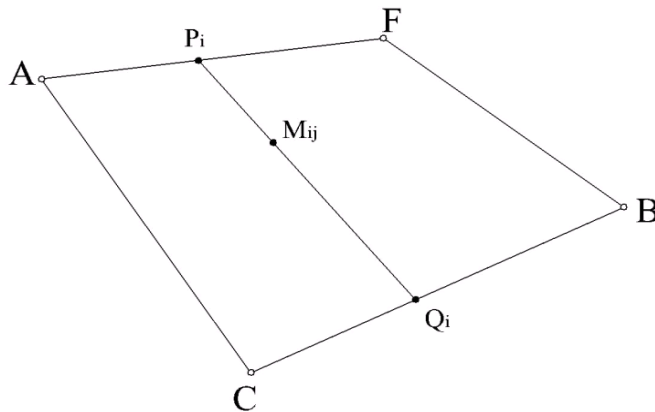


Figure 3. Scanning layout for square window.

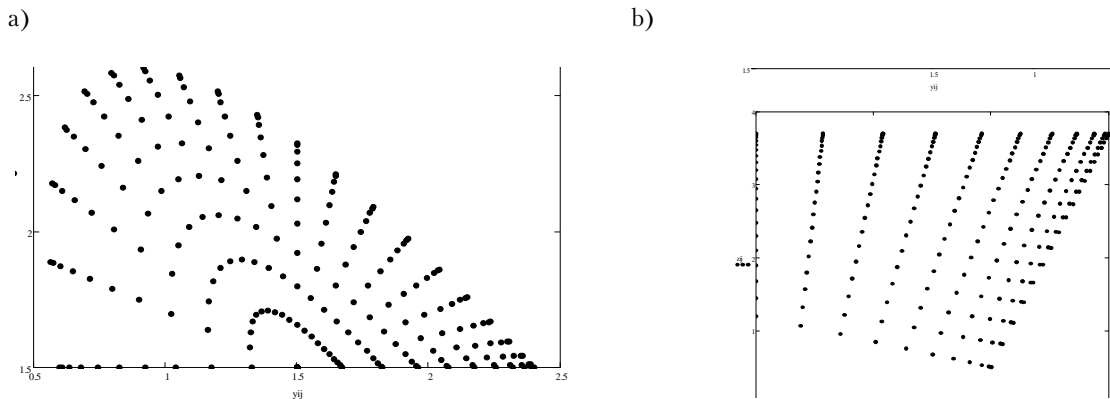


Figure 4. Realization of received equations in environment *MathCAD* at $\kappa_1 = \kappa_2 = 2$.

- Interval and pitch for change in amount of scanning points are defined: i from 1 to m , j from 1 to n . These parameters are set pursuant to necessary precision of calculations.
- Matrices for change in parameters δ and λ are defined, where $\delta = j / n$, $\lambda = i / m$. Assuming approximately the character for distribution of physical flow, we set the functions, which will define the density for distribution of scanning points along two directions. They may be any functions, for example, functions of the following form $v = \lambda^{\kappa_1}$ and $u = \delta^{\kappa_2}$, where κ_1 and κ_2 are accepted, depending on direction, in which it is required to thicken or to thin out scanning points.
- The position of scanning points is defined from equations (5) and (12).

References

- Сахновська, С. О. Прогнозування енергоефективності великоблочних житлових будинків на основі раціональної теплоізоляції огорожень [Text]: дис. ... канд. техн. наук : 05.23.01 / Сахновська Світлана Олексіївна. – Макіївка, 2013. – 210 с.
- Егорченков, В. А. Средняя яркость окна с параболическим завершением в условиях полужасного небосвода [Text] / В. А. Егорченков // Современные проблемы строительства : ежегодный научно-технический сборник. – Донецк : Донецкий ПромстройНИИпроект, 2010. – № 13. – С. 40–43.
- Егорченков, В. А. Сканирование арочной плоскости с заданной неравномерностью распределения точек [Text] / В. А. Егорченков, Е. В. Конопацкий // Прикладна геометрія та інженерна графіка: міжвідомчий науково-технічний збірник. Випуск 91 / Відповідальний редактор В. Є. Михайленко. – К. : КНУБА, 2013. – С. 88–91.
- Егорченков, В. А. Средняя яркость четырехугольного окна в условиях полужасного неба [Text] / Прикладна геометрія та інженерна графіка: Міжвідомчий науково-технічний збірник. Випуск 87 / Відповідальний редактор В. Є. Михайленко. – К. : КНУБА, 2011. – С. 128–132.
- Балуба, И. Г. Конструктивная геометрия многообразий в точечном исчислении [Text]: диссертация на соискание научной степени доктора технических наук : 05.01.01 / Балуба Иван Григорьевич. – Макеевка, 1995. – 227 с.
- Балуба, И. Г. Основы математического аппарата точкового числения [Text] / И. Г. Балуба, В. И. Полищук, Т. П. Малиутіна // Праці Таврійського державного агротехнічної академії. Прикладна геометрія та інженерна графіка. – Мелітополь : ТДАТА, 2005. – Вип. 4, т. 29. – С. 22–30.

Conclusions

Thus, using point calculation, we received the scanning method that allows controlling the density for distribution of scanning points in arch and square opening according to necessary conditions for numerical experiment on research of parameters for distribution of natural lighting in the premise. It will allow improving the precision of calculation and reducing the time, necessary for computer to calculate all scanning points.

Perspectives for further researches

Further it is expected to receive similar dependencies for other linear and curved light openings (triangle, polygon, circular curve, etc.), as well as for space forms.

References

- Sahnovska, S. O. Forecasting of energy efficiency of large block residential buildings based on well-minded buildings insulation of protective covers: Ph.D. thesis in Engineering Science: 05.23.01. Makiyivka, 2013. 210 p. (in Ukrainian)
- Egorchenkov, V. A. Average brightness of glass with paraboloidal ending under the conditions of half clear horizon. In: *Present troubles of Civil Engineering: annual scientific and technological*, 2010, Number 13, p. 40–43. (in Russian)
- Egorchenkov, V. A.; Konopatskii, E. V. Radar scan arch plane with set irregularity in the distribution of points. In: *Applied geometry and engineering graphics: International Scientific and Technological volume* / Edited by V. E. Mihailenko. Kyiv: KNUBA, 2013, Issue 91, p. 8–91. (in Russian)
- Egorchenkov, V. A. Average brightness of quadrangular glass under the conditions of half clean horizon. In: *Applied geometry and engineering graphics: International Scientific and Technological volume* / Edited by V. E. Mihailenko. Kyiv: KNUBA, 2011, Issue 87, p. 128–132. (in Russian)
- Baliuba, I. G. Constructive geometry of sectionally normal variety in point numerations. Doctoral dissertation in Engineering. Makiyivka, 1995. 227 p. (in Russian)
- Baliuba, I. G.; Polishchuk, V. I.; Maliutina, T. P. Fundamentals of mathematical apparatus of point numeration. In: *Works of Tauris State Agriculture and Mechanical Academy: Applied geometry and engineering graphics*. Melitopol: TDATA, 2005, Issue 4, volume 29, p. 22–30. (in Ukrainian)
- Baliuba, I. G.; Polishchuk, V. I.; Goriagin, B. F.; Maliutina, T. P. Point numerations is mathematical apparatus of parallel computations for problems

7. Точечное исчисление – математический аппарат параллельных вычислений для решения задач математического и компьютерного моделирования геометрических форм [Text] / И. Г. Балюба, В. И. Полищук, Б. Ф. Горягин, Т. П. Малютина // Материалы Международной научной конференции «Моделирование – 2008», 14–16 мая 2008 р., г. Киев, Том 2 / Ин-т проблем моделирования в энергетике им. Г. Е. Пухова НАН Украины. – Киев : Институт проблем моделирования в энергетике им. Г. Е. Пухова НАН Украины, 2008. – С. 286–290.
8. Точечное исчисление геометрических форм и его место в ряду других существующих исчислений [Text] / И. Г. Балюба, Б. Ф. Горягин, Е. В. Конопацкий [и др.] // Комп'ютерно-інтегровані технології: освіта, наука, виробництво : Науковий журнал. – Луцьк : ЛНТУ, 2011. – № 6. – С. 24–29.
9. Найдыш, В. М. Алгебра БН-исчисления [Text] / В. М. Найдыш, И. Г. Балюба, В. М. Верещага // Прикладна геометрія та інженерна графіка : Міжвідомчий науково-технічний збірник. – К. : КНУБА, 2012. – Вип. 90. – С. 210–215.
10. Методи узагальнення і аналогії БН-числення на прикладі визначення основи перпендикуляру [Text] / А. В. Найдиш, В. М. Верещага, В. В. Шацький, Є. В. Конопацький // Праці Таврійського державного агротехнологічного університету. – 2012. – Вип. 4, т. 55. – С. 163–168.
- solving of mathematical and computational modeling of geometric shape. In: *International Scientific Conference Simulation-2008 (May 14–16, 2008, Kiev, Ukraine) Volume 2*. Kyiv: Puchov Institute of problems of modelling in power engineering. National Academy of Sciences of Ukraine, 2008, p. 286–290. (in Russian)
8. Baliuba, I. G.; Goriagin, B. F.; Konopatskii, E. V. et al. Point numeration of geometric shape and its place in the range of other actual numeration. In: *Computer-integrated engineering, education, science and production: Academic periodical*, 2011, Number 6, p. 24–29. (in Russian)
9. Naidysh, V. M.; Baliuba, I. G.; Vereshhaga, V. M. Algebra. Detection of Conductivity. Anomalies numeration. In: *Applied geometry and engineering graphics: International scientific and technological volume*. Kyiv: KNUBA, 2012, Issue 90, p. 210–215. (in Russian)
10. Naidysh, A. V.; Vereshhaga, V. M.; Shatskii, V. V.; Konopatskii, E. V. Generalization methods and analogies of Detection of Conductivity anomalies numeration by the example of determination of fundamentals of vertical. In: *Works of Tauris State Agriculture University*, 2012, Issue 4, Volume 55, p. 163–168. (in Ukrainian)

Єгорченко Володимир Олексійович – кандидат технічних наук, доцент кафедри архітектури промислових та цивільних будівель Донбаської національної академії будівництва і архітектури. Наукові інтереси: формування світлового режиму в будівлях різноманітного призначення, дослідження світлового клімату України, розробка методів розрахунку природного освітлення в приміщеннях, визначення оптимальних параметрів світлового поля в виробничих приміщеннях.

Конопацький Євген Вікторович – кандидат технічних наук, доцент кафедри містобудівництва та інженерної графіки Донбаської національної академії будівництва і архітектури. Наукові інтереси: визначення геометричних багатовидів за допомогою багатокуткових і багаторадіальних параметризацій методом узагальнених тригонометричних функцій у точковому численні Балюби-Найдиша; розробка інструментів багатомірної геометрії у точковому численні Балюби-Найдиша для геометричного моделювання багатопараметричних явищ і процесів.

Кошавка Ірина Володимирівна – старший викладач кафедри готельної і ресторанної справи Донецького національного університету економіки і торгівлі імені Михайла Туган-Барановського. Наукові інтереси: формування світлового режиму в будівлях різноманітного призначення, розробка методів розрахунку природного освітлення в приміщеннях, оптимізація показників комфортності внутрішнього середовища громадських будівель.

Єгорченко Владимир Алексеевич – кандидат технических наук, доцент кафедры архитектуры промышленных и гражданских зданий Донбасской национальной академии строительства и архитектуры. Научные интересы: формирование светового режима в зданиях различного назначения, исследование светового климата Украины, разработка методов расчета естественного освещения в помещениях, определение оптимальных параметров светового поля в производственных помещениях.

Конопатский Евгений Викторович – кандидат технических наук, доцент кафедры градостроительства и инженерной графики Донбасской национальной академии строительства и архитектуры. Научные интересы: определение геометрических многообразий с помощью многоугольных и многорадиальных параметризаций методом обобщенных тригонометрических функций в точечном исчислении Балубы-Найдыша; разработка инструментов многомерной геометрии в точечном исчислении Балубы-Найдыша для геометрического моделирования многопараметрических процессов и явлений.

Кощавка Ирина Владимировна – старший преподаватель кафедры гостиничного и ресторанного дела Донецкого национального университета экономики и торговли имени Михаила Туган-Барановского. Научные интересы: формирование светового режима в зданиях различного назначения, разработка методов расчета естественного освещения в помещениях, оптимизация показателей комфорта внутренней среды гражданских зданий.

Yegorchenkov Vladimir – candidate of technical sciences, associate professor of architecture of industrial and civil buildings of the Donbass National Academy of Civil Engineering and Architecture. Research interests: formation of the light regime in the various buildings, research the light climate in Ukraine, development of methods of calculation of natural light indoors, determination of optimal parameters of the light field in the production premises.

Konopatskiy Yevgeniy – candidate of technical sciences, docent by Department of urban development and engineering graphics of the Donbass National Academy of Civil Engineering and Architecture. Research interests: the definition of geometric manifolds using multiangle and multiradial parameterizations by generalized trigonometric functions in a dot calculation by Balyuba-Naydysh, development tools multidimensional geometry in a dot calculation by Balyuba-Naydysh for geometric modeling multiparametric processes and phenomena's.

Koschavka Irina – senior lecturer by Department of hotel and restaurant of the Donetsk National University of Economics and Trade named after Mykhailo Tugan - Baranovsky. Research interests: formation of the light regime in the various buildings, development of methods of calculation of natural light indoors, optimization of indicators of comfort of the internal environment of civil buildings.